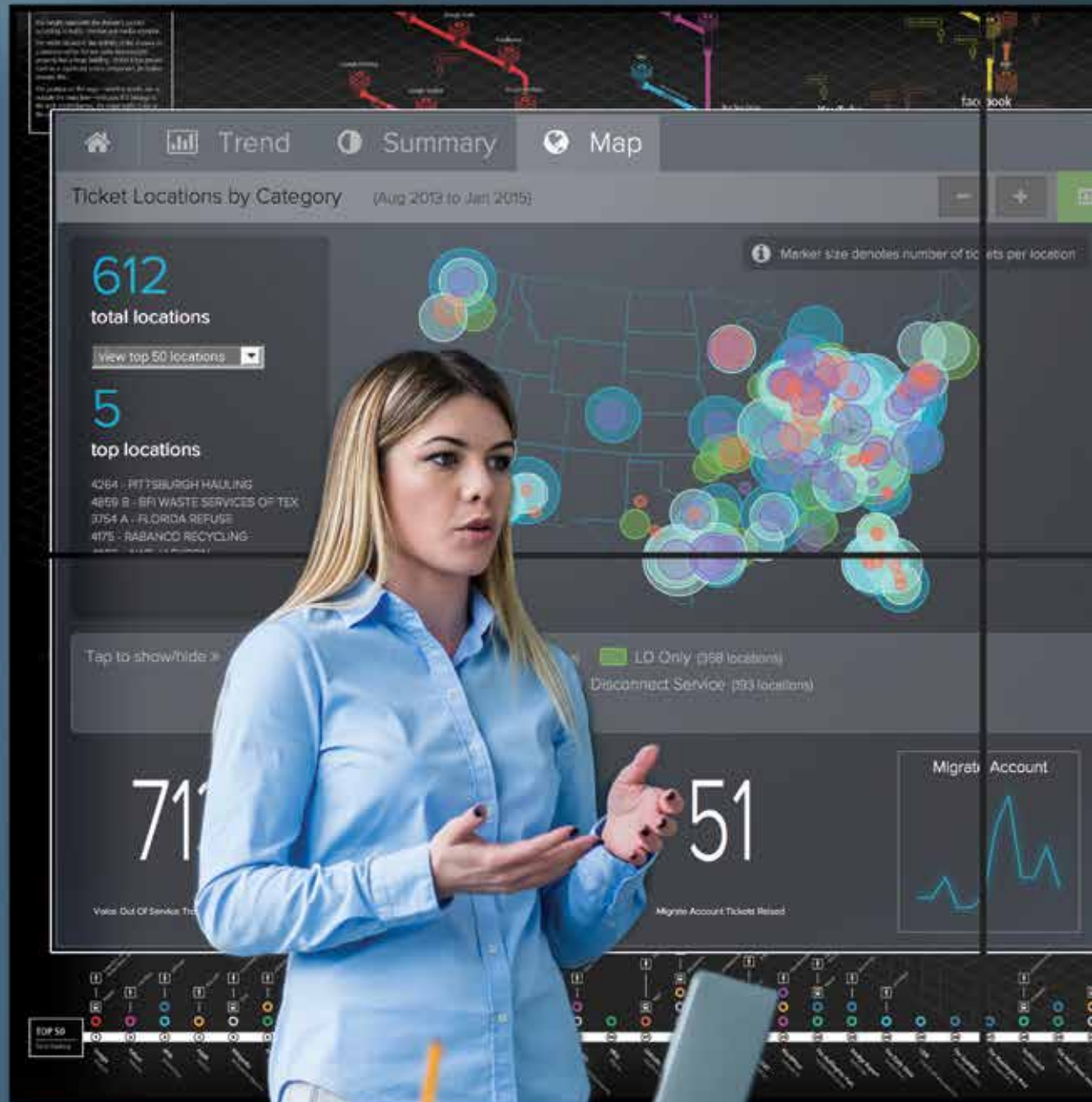


MEDIACENTO™ IPX

HDMI-OVER-IP DISTRIBUTION, SWITCHING AND VIDEO WALL CONTROL



1.877.877.2269



BLACKBOX.COM / MIPX



Transmit HDMI video and audio over an Ethernet network to a virtually unlimited number of screens as far as your network reaches.

EASY INTEGRATION

Transmitters and receivers can be installed directly into your existing LAN infrastructure. There's no need to configure any IP settings or run expensive dedicated links from a back room. Better yet, the PoE-powered units eliminate the need for external power supplies.

PLUG-AND-PLAY SETUP

Use push buttons to set the transmitters and receivers to the same multicast or unicast channel and all IP multicasting settings are automatically configured. Just connect your source, display(s) and a network switch, and you're ready to go.

SIGNALS THAT GO FOR MILES

The units support IGMP and packetize signals so all your HD source content can be delivered anywhere you want over Ethernet wiring. The extender transmits video up to 330 feet (100 meters) per link, but goes even longer when additional network switches are added to the mix. Use fiber with media converters to go several miles, if needed. New units also have a built-in SFP slot that supports fiber, which extends video signals farther and faster than copper cable.

OPTIMAL PC-TO-SCREEN PERFORMANCE

MediaCentro IPX features extended display identification data (EDID) copy function, which ensures that proper video settings are maintained.

SECURE CONNECTORS

Eliminate failure at the connection point. MediaCentro IPX products are compatible with locking HDMI cables. They are available from Black Box for individual order and are included in your purchase of a MediaCentro IPX kit.

LOSSLESS COMPRESSION AND ULTRA-LOW LATENCY FOR HD EXTENSION

The units transmit broadcast-quality video and audio and support resolutions up to 4K @ 30 Hz, no matter the distance or number of screens. Our new units support resolutions up to 4096 x 2160 @ 30 Hz.

FLEXIBLE MATRIX SWITCHING AND VIDEO WALL CONTROL

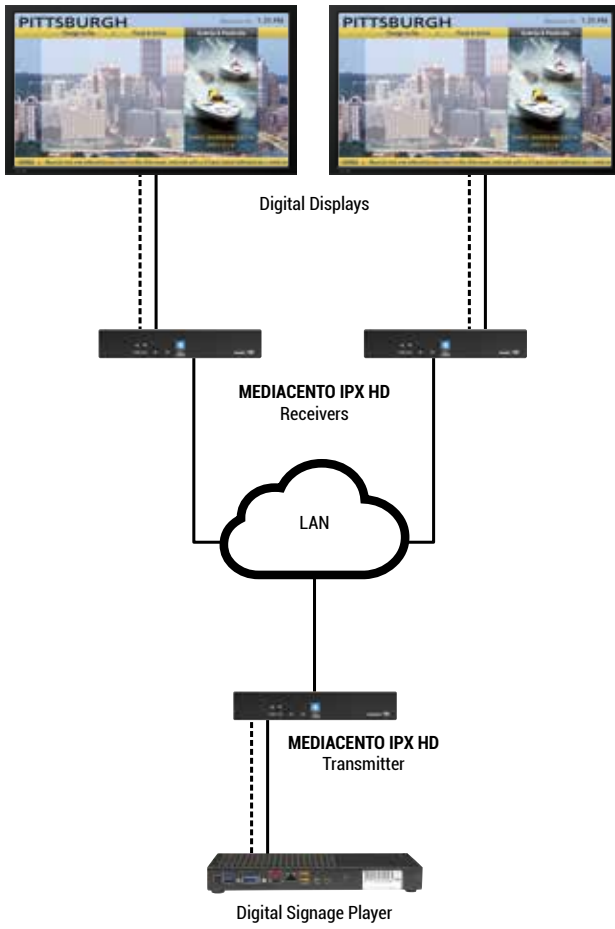
With the MediaCentro IPX Controller added to the system, you can:

- Create video walls up to 8 x 8 (64 screens)
- Control and switch from any source to any display remotely using the intuitive web interface. The controller automatically detects any MediaCentro IPX units in the network and pulls them into the web interface for easy setup and control
- Manage the MediaCentro devices from a secondary network using the controller's two Ethernet ports
- Remotely manage the units from a mobile interface such as a laptop, cell phone or tablet



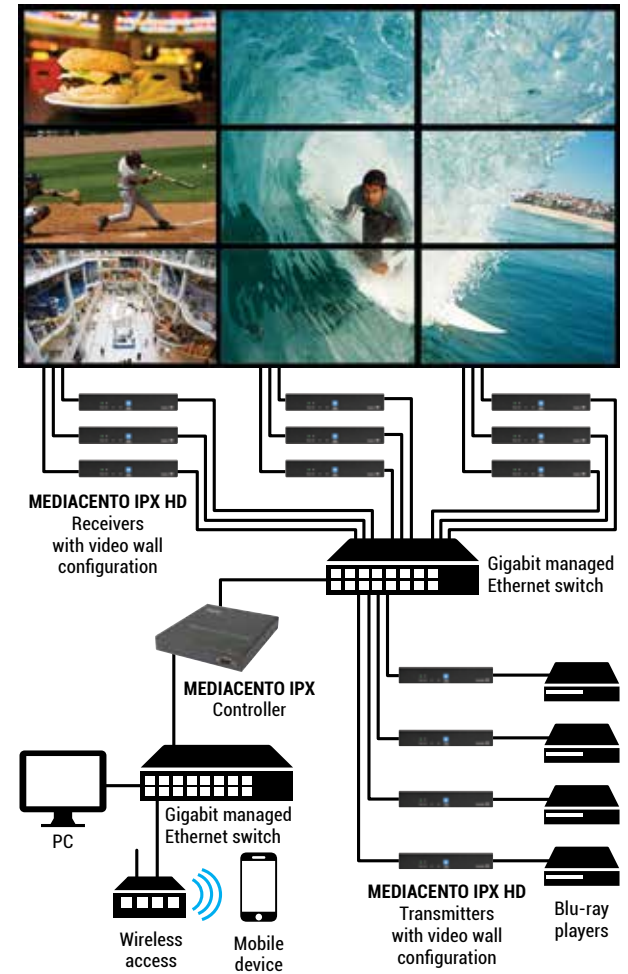
MULTICAST MODE APPLICATION

Transmit video from one source to multiple screens over an Ethernet network. This application can also support a video wall.



MULTICAST MODE APPLICATION WITH VIDEO WALL AND MATRIX SWITCHING

Transmit video from multiple sources to multiple screens over an Ethernet network. Control and switch the displays from the PC or mobile device.



Find the HDMI video extender that's right for your job.

Do you need multicast or unicast (point-to-point) distribution? Perhaps you need the ability to switch between multiple sources or create video walls. MediaCento IPX has you covered. Use it for both multicast and unicast distribution. Even better — a controller is available for matrix switching and video wall control.



MEDIACENTO IPX 4K TRANSMITTER AND RECEIVER

Get better audio, video, control and compatibility with this affordable plug-and-play solution. Use it to share any source to any screen over IP.

THE IDEAL SOLUTION FOR:

- Touchscreen applications that involve the iCOMPEL Digital Signage system
- Basic KVM applications for remote management
- Streaming and sharing video in classrooms, corporate offices and command and control rooms
- Also extends serial and IR signals for remote control of displays or source devices

DESCRIPTION	PART #
End points Transmitter	VX-HDMI-4KIP-TX
End points Receiver	VX-HDMI-4KIP-RX



MEDIACENTO IPX TRANSMITTER AND RECEIVER

IP-streaming solution transmits HDMI video and audio to a nearly unlimited number of remote displays — go as far as your network reaches. You need one transmitter for each source, and one receiver for each screen.

THE IDEAL SOLUTION FOR:

- Digital signage in different buildings or stores
- Create basic video walls
- Distributes high-quality video across a standard Ethernet network for optimal use in medical imaging, command and control rooms, corporate offices and classrooms

DESCRIPTION	PART #
End points Transmitter	VX-HDMI-HDIP-TX
End points Receiver	VX-HDMI-HDIP-RX



MEDIACENTO IPX CONTROLLER

Turn your IP-based MediaCento IPX transmitters and receivers into an IP-based matrix switch and video wall controller. The controller brings cost-effective, flexible matrix switching and video wall control to a new level.

THE IDEAL SOLUTION FOR:

- Video wall control up to 8 x 8 (64 screens)
- Switching from any source to any display
- Create groups to simultaneously switch multiple receivers with a single click
- Use preset layouts to instantly set all receivers to a preconfigured setup

DESCRIPTION	PART #
Controller	VSW-MC-CTRL

Recommended products:

Create the optimal video distribution network that powers itself and minimizes points of failure. Black Box offers all the products you need to complete your fast, cost-effective MediaCento installation.

Gigabit PoE+ Managed Ethernet Switches

DESCRIPTION	PART #
10-Port	LPB2910A

Locking HDMI Cables

DESCRIPTION	PART #
Locking Male, both sides	VCL-HDMIL-00XM
Locking Male to Non-locking HDMI Male	VCL-HDMIS-00XM
Locking HDMI Male to DVI Male	VCL-HDMIDVI-00XM

