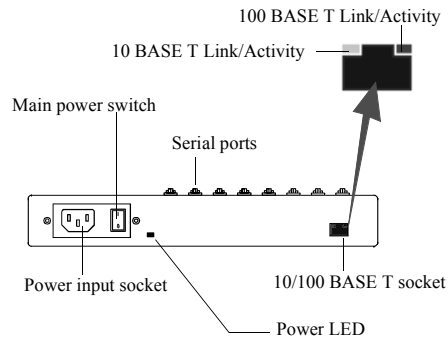


## Introduction

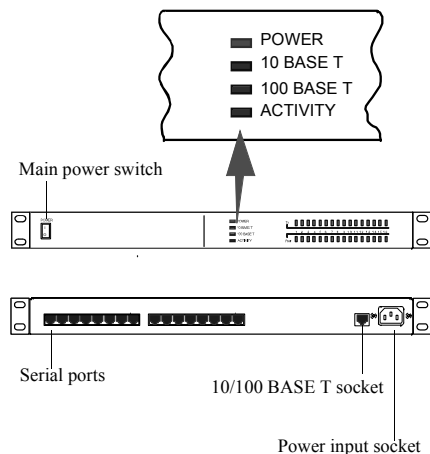
This Quick Start Guide covers the key points of the installation for your Terminal Server. It is intended for systems administrators familiar with operating systems covered.

This product is a TCP/IP Terminal Server available in both table top and rack mounted form. The table top unit has 8 or 16 RS-232 ports and the rack unit has 4, 8 or 16 RS-232 ports that can be used for terminals, modems, printers or other serial devices. The serial ports are individually numbered.

## Table mounted



## Rack mounted



## Connectors and indicators

The functions of these are described in the Terminal Server User Guide.

### Note

These instructions assume the Terminal Server is attached to the same LAN as other host machines. Refer to the User and Administration Guide for other situations. To perform the basic Terminal Server configuration you will need to know:

- The IP address of the Terminal Server
  - The ethernet address of the Terminal Server (displayed on the unit)
  - The host name of the Terminal Server
- If in doubt please refer to your system administrator.

## Connecting up the Terminal Server and logging in from a remote host

1. Read the safety manual supplied with this product.
2. Connect the Terminal Server to the ethernet.
3. Connect the power cable to the Terminal Server.
4. Power up the Terminal Server.
5. On a local host, for UNIX type:  
**arp -s a.b.c.d aa:bb:cc:dd:ee:ff**  
or for Windows NT type:  
**arp -s a.b.c.d aa-bb-cc-dd-ee-ff**  
replacing **a.b.c.d** with the Terminal Server IP address and **aa:bb:cc:dd:ee:ff** with the ethernet address.
6. From the command prompt, run: **telnet a.b.c.d**  
(This may take a few seconds to complete).
7. At the password prompt press **Enter**.
8. At the **Local >** prompt now displayed, type:  
**set term** for supported terminals and press **Enter**.
9. Type **set term <terminal>** and then press **Enter** for the appropriate terminal type.

You have now connected up and logged into the Terminal Server.

## Setting the network parameters

1. Press **CRTL A** for the **ADMINISTRATION MENU** then press **CRTL P**.
  2. At the password prompt now displayed, type **iolan** as the default password and press **Enter**.
  3. In the administrator password window is now displayed, use the cursor keys to select **Server** then press **Enter**.  
The server menu is now displayed.
  4. Enter the IP address and host name for the Terminal Server. Press **Enter** twice to save the changes.
  5. Select **Reboot** from the menu and press **Enter**.
  6. Confirm Reboot and wait for the unit to restart.
- Your Terminal Server is now set up for operation.

### Notes:

For setting up a Terminal Server via a serially attached terminal, refer to the appropriate section in the User and Administration Guide.

For setting up a Terminal Server via BOOTP, refer to the appropriate section in the User and Administration Guide.

## Setting up a printer

---

This section assumes your printer client is set up for LPD printing.

1. Power down the Terminal Server and attach the serial printer using a cable specified in the Terminal Server User and Administration Guide.
2. Power up the Terminal Server.
3. Log in and select the Administration Mode (using **CTRL A** and then **CTRL P**).
4. Using the cursor keys select the **Port** option then enter the number of the serial port you attached the printer to.
5. On the Port Setup Menu, set the parameters in the **Hardware** and **Flow ctrl** to match those of your printer.
6. Enter the print queue filename in the User Name field. Press.
7. Set Access to Remote using the spacebar to select the appropriate action.
8. Set the Local Port field. This is a TCP Port number and for LPD this should be set to 515.
9. Press **Enter** twice to save the changes.
10. From the ADMINISTRATION MENU select the Kill option and enter the serial port number for the printer, then press **Enter**.

The port is now setup, you can now send a print job to the Terminal Server to test printing.

## Remote access dial in modem setup

---

1. Power down the Terminal Server and attach the modem using a cable specified in the Terminal Server User and Administration Guide.
2. Power up the Terminal Server.
3. Go to the Port Setup Menu as described earlier in **Setting up a printer** on page 2.
4. Setup Hardware with Monitor DCD to yes and Flow Ctrl to match the modem. In the IP address fields, set Src (local end of PPP connection) and Dst (remote end) addresses.

Note: If the src is left blank it defaults to the IP address of the Terminal Server.
--

5. Set Access to Local and Authentication to Host if user has to be validated. Press **Enter** twice to save and exit.
6. On the ADMINISTRATION MENU select **Access** and press **Enter**. Now select **Remote Site Devices** and press **Enter**.
7. Select the entry from the Device type window where the listed items represent the ports (i.e. first item = port1, second item = port2, etc.), select the port you are attaching the modem to and press **Enter**.
8. In the REMOTE SITE DEVICES MENU now displayed, set the **Inactivity timer** to an appropriate value in minutes.
9. Set the **Config** field to the modem's initialisation command string. Press **Enter** twice.
10. From the ADMINISTRATION MENU select **Access**.
11. In the Access pop-up window now displayed, select **Authentication/Logging** and press **Enter**.
12. In the host AUTHENTICATION AND LOGGING menu now displayed, go to the **Auth Host** field enter the IP address of the authentication host.
13. Change the **Success Indication String** field and **Failure Indication String** field to suit your login sequence of your authentication hosts. Press **Enter** twice to save and exit.
14. In the ADMINISTRATION MENU select **kill** and press **Enter**.
15. Enter the modem port number and press **Enter**.

Setup is now complete. A remote user should now attempt to log in.

## Terminal Server



## Quick start guide

