



Mini Wallmount Fiber Enclosure, One Adapter Panel

Extend a small trunk of fiber cable to a remote area.

Mounts on a wall.



**Customer
Support
Information**

Order toll-free in the U.S.: Call 877-877-BBOX (outside U.S. call 724-746-5500)
FREE technical support 24 hours a day, 7 days a week: Call 724-746-5500 or fax
724-746-0746 • Mailing address: Black Box Corporation, 1000 Park Drive, Lawrence,
PA 15055-1018 • Web site: www.blackbox.com • E-mail: info@blackbox.com

Mini Wallmount Fiber Enclosure, One Adapter Panel

1. Specifications

Dimensions	6"H x 6"W x 1.7"D (15.2 x 15.2 x 4.3 cm)
Weight	2.65 lb. (1.2 kg)

2. Overview

2.1 Description

This inexpensive fiber enclosure holds only one fiber adapter panel. It's perfect for applications where you may need to extend a small trunk of fiber bulk cable to a remote area within your facility.

This enclosure is wallmountable, non-locking, and holds one fiber adapter panel. The fiber adapter panel mounts on the side so that the fiber cable assembly remains on the outside of the enclosure. A single fiber trunk cable enters the enclosure from the top or bottom of the enclosure through a rubber grommet opening. An internal vertical rail holds the incoming fiber trunk in place and stays secure with a single Kevlar® screw clamp.

2.2 What's Included

Your package should include the following items. If anything is missing or damaged, contact Black Box Technical Support at 724-746-5500 or info@blackbox.com.

- (1) Mini Wallmount Fiber Enclosure, One Adapter Panel
- (1) DANGER sticker
- (4) 4" (10.2-cm) large cable ties
- (4) mounting screws
- (2) 1" (2.5-cm) cable organizers
- (10) 3" (7.6-cm) small cable ties
- (1) Fiber Adapter Panel ID Enclosure sticker
- This user's manual

3. Installation

1. Find a flat, smooth surface where you can mount the enclosure.
2. Use the supplied mounting screws, or use mounting screws that are best suited for the type of surface you're anchoring the enclosure to.
3. Route the fiber trunk cable into the enclosure through either the top or bottom rubber grommet opening. Secure the Kevlar® yarn from the fiber trunk to the Kevlar clamp screw inside the enclosure to provide strain relief. Make sure you leave enough slack to splice the fiber to the adapter panels. See Figure 3-2.
4. Use cable ties (supplied) to secure and hold the fiber trunk in place.
5. Snap in the desired fiber adapter panel to the rectangular opening next to the Kevlar clamp.
6. Splice the fiber and dress fiber strands to the inside of the fiber adapter panel you installed.
7. Connect your fiber cable assemblies to the outside of the adapter panels and attach the cable to your equipment.

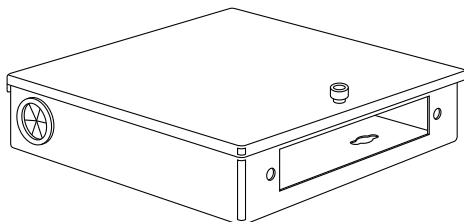


Figure 3-1. Enclosure.

8. Use the cable management ties and organizer as needed to dress your wiring inside the enclosure.
9. Attach the ID Label sticker to the inside door and identify your work.

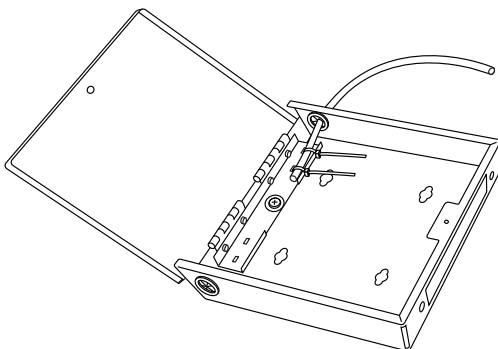
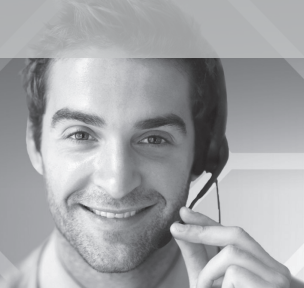


Figure 3-2. Inside front view of the enclosure.

Black Box Tech Support: FREE! Live. 24/7.

Tech support the
way it should be.



Great tech support is just 30 seconds away at
724-746-5500 or blackbox.com.



About Black Box

Black Box provides an extensive range of networking and infrastructure products. You'll find everything from cabinets and racks and power and surge protection products to media converters and Ethernet switches all supported by free, live 24/7 Tech Support available in 30 seconds or less.

© Copyright 2013. Black Box Corporation. All rights reserved. Black Box® and the Double Diamond logo are registered trademarks of BB Technologies, Inc. Kevlar® is a registered trademark of E. I. du Pont de Nemours and Company. Any third-party trademarks appearing in this manual are acknowledged to be the property of their respective owners.

JPM399A-R2, version 1

724-746-5500 | blackbox.com